

ecosleeve™

The natural choice
Wool Insulation

Installation Guide

Ecosleeve™ cylinder wrap is a quality product which must be handled with care to ensure the installed product remains clean and in good condition. The quality of the installation ultimately determines the level of performance that can be achieved with Ecosleeve™ cylinder wrap.

Customer support

For additional information on Ecosleeve™ cylinder wrap installation, call toll free **0800 400 326** or visit www.ecoinsulation.co.nz

On delivery

Store Ecosleeve™ cylinder wrap:

- under cover
- on end to avoid compression.

Protect opened Ecosleeve™ cylinder wrap insulation from moisture and dirt/dust.

Ecosleeve™ safety

Ecosleeve™ cylinder wrap is suitable for use with electric hot water cylinders only. The wrap is able to be installed without the need for protective clothing or equipment. Turn off power to cylinder before installation.

Before starting Ecosleeve™ installation

Ensure:

- areas where Ecosleeve™ cylinder wrap is to be fitted are clean
- the power to the water cylinder is switched off — preferably at the switchboard
- there is no exposed electrical wiring — where there are exposed wires have them made safe by a registered electrician before installing the Ecosleeve™ cylinder wrap
- the cylinder wrap is undamaged when unpacked.

Tools

Tools required to install Ecosleeve™ cylinder wrap are a tape measure, sharp scissors, felt pen, foil tape and string.

Head office

Eco Insulation Ltd
PO Box 65-382
Mairangi Bay
Auckland

Auckland showroom

Eco Insulation Ltd
17 Arrenway Drive
Albany Heights
North Shore
Auckland 0630

Phone: 09 477 0270
Fax: 09 478 7771
Email: enquiries@ecoinsulation.co.nz

0800 400 ECO
0800 400 326

ecoinsulation
The natural choice

www.ecoinsulation.co.nz

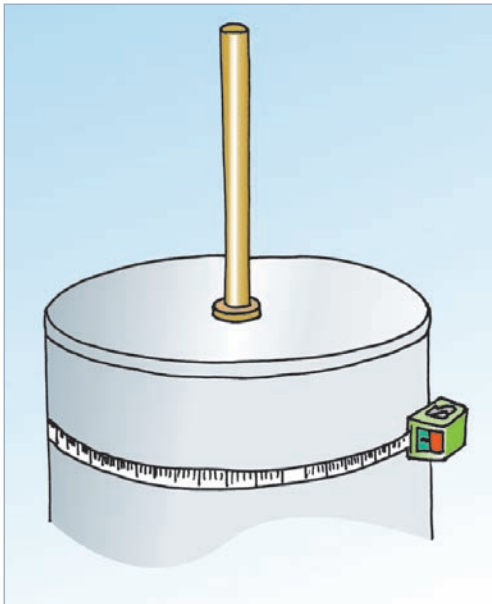
Opening Ecosleeve™ packs

Open from top and slide out or split the plastic wrapping lengthwise — Ecosleeve™ cylinder wrap is compressed during packing and will expand on being released.

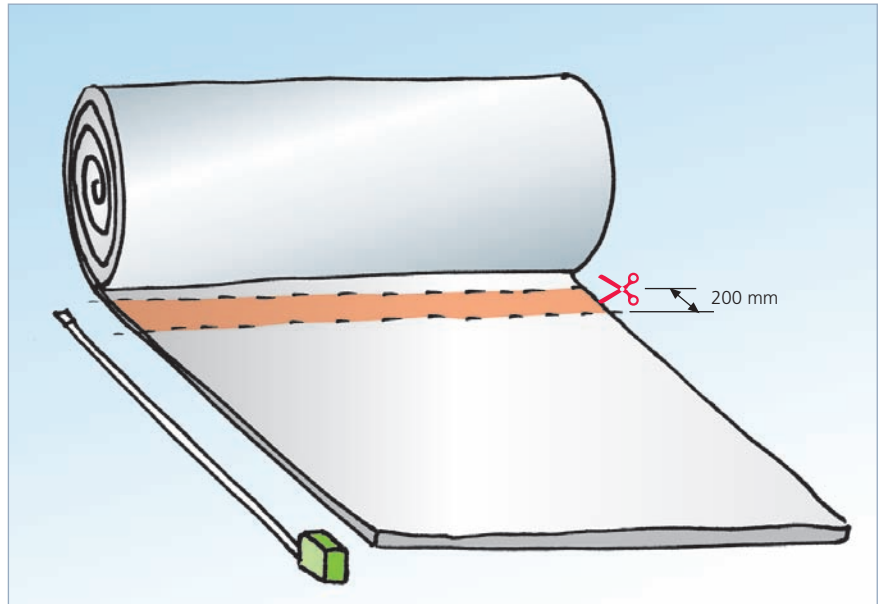
Each Ecosleeve™ pack contains a 5 m roll of foil tape for fixing.

Cutting Ecosleeve™ to size

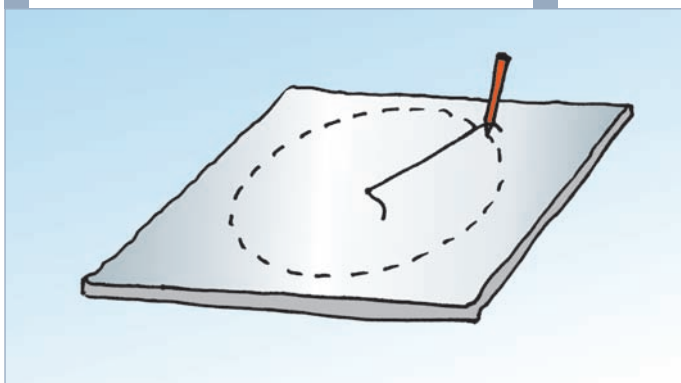
- measure around cylinder with tape or string
- unroll Ecosleeve™ cylinder wrap on a flat surface and transfer cylinder circumference to rolled out material adding 200 mm for the lapped vertical joint
- cut Ecosleeve™ cylinder wrap to length with scissors
- use the string and felt pen to draw a circle on the remaining cylinder wrap to give the outline for the capping piece to the top of the cylinder
 - allow 150 mm extra to lap over the material installed to the sides of the cylinder
 - accurately cut the circle with scissors
 - locate the position of the outlet pipe and cut into its centre point.



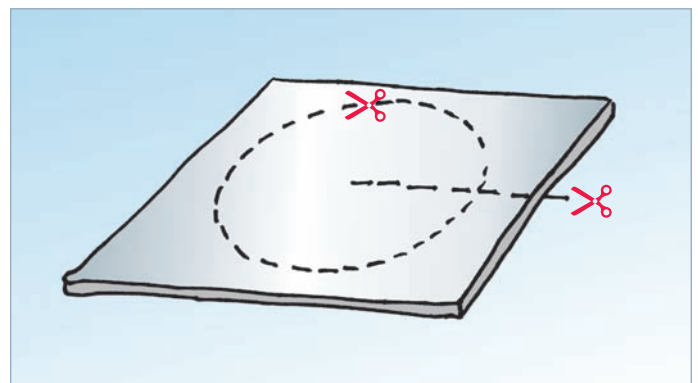
1 Measuring the cylinder's circumference



2 Cutting to length



3 Marking top cut-out



4 Cutting the circular top

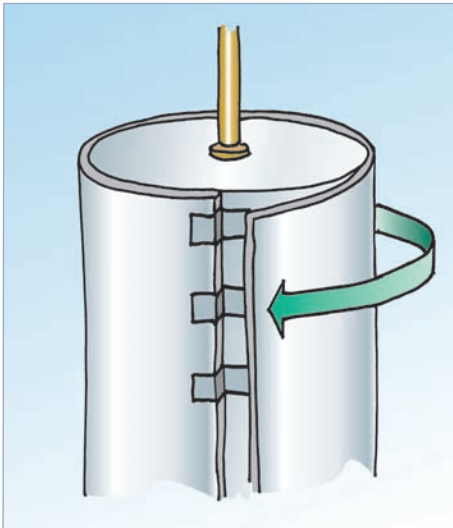
Fitting Ecosleeve™ cylinder wrap

When fitting:

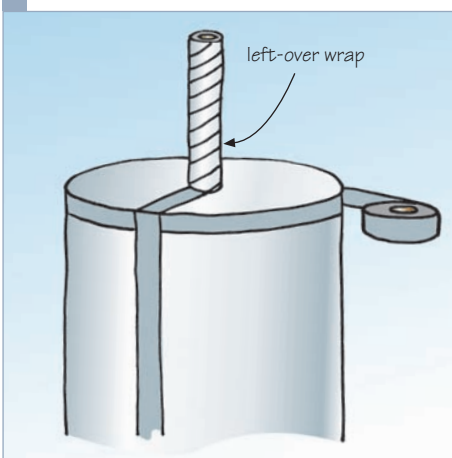
- cut to size
- remove seismic restraint
- slide wrap around cylinder with the foil face to the outside
- tape one end to the cylinder casing
- gently pull the wrap firmly around the cylinder
- overlap taped edge
- tape full length of vertical joint, ensuring tape is fully bonded to both surfaces
- fit the cut circle of Ecosleeve™ cylinder wrap to the top of the cylinder, fitting tightly around the exit pipe
- tape the top to the cylinder wrap installed to the sides of the cylinder, making sure there are no gaps and the tape is securely adhered to the top and side cylinder wrap
- locate and neatly cut around the outline of the access panel on the side of the cylinder
- replace seismic restraint ensuring a tight fit.

To complete the installation, cut remaining Ecosleeve™ cylinder wrap into 30–40 mm wide strips and wrap around the top pipe and tape securely into position.

Turn the power back on.



5 Fitting Ecosleeve™ around



6 Taping overlapped wrapped joints



7 Completed installation with safety strap



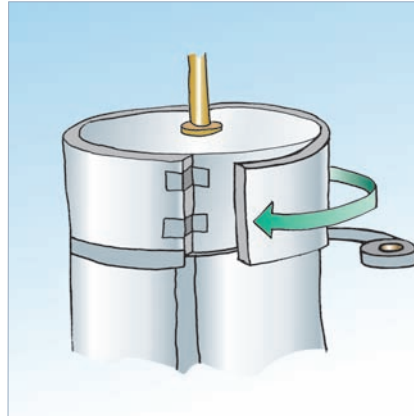
8 Completed capping



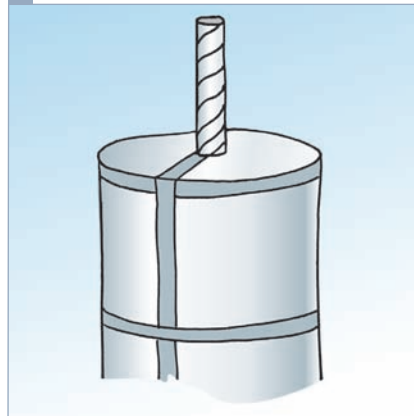
9 Control panel access left exposed

Fitting Ecosleeve™ cylinder wrap to tall cylinders

- Ecosleeve™ cylinder wrap is supplied in 1350 mm wide and 3000 mm long rolls. Where cylinders are taller an extra strip must be fitted around the cylinder to suit the height of the cylinder — this must be allowed for when ordering the length of material required
- Install wrap to the lower part of cylinder as above, then repeat with the strip cut to suit the width of the uncovered portion of the cylinder.



1 Fitting Ecosleeve™ extension around cylinder



2 Fitted around top portion of cylinder



3 Completed installation

On completion

Remove all unused material and off-cuts from site and leave the work area clean and tidy. Ensure power is turned back on.