

Rinnai
EXPERIENCE OUR INNOVATION

SYMMETRY

Efficient · Versatile · Innovative

DV3610

Gas fireplace

Blending functionality and style, the new Symmetry DV3610 from Rinnai will be the focal point of your living environment. The fire features cost-saving efficiency, design versatility and leading innovations to help keep your home warm and healthy throughout the year.

Sophisticated design, innovative thinking.





Heat your home with four-star efficiency

By installing a Rinnai Symmetry DV3610 you can be confident that you are choosing an incredibly efficient and safe heating source for your home. The Rinnai Symmetry DV3610 was awarded greater than a four-star energy rating by the Australian Gas Association after stringent testing for energy efficiency. The Symmetry DV3610 stands out among other fires, as it is the only direct vent gas flame fire available in New Zealand with this energy rating.

Easy on your pocket and the environment

A major benefit of the Symmetry's DV3610 four-star energy rating is the significant cost savings it can make to your energy-bill. With the Symmetry DV3610 smart design you'll require less energy to heat your room to the optimum temperature and this means lower running costs.

The Symmetry DV3610 is also kind to the environment. As a clean-burning appliance the Symmetry DV3610 has less green-house gas emissions. In fact, the fire meets the requirements of clean air schemes and the EECA – Warm up NZ: Heat Smart programme, which provides consumers Government cash-backs when funding is available.

Competitor star rating comparison

Rinnai DV3610	4.2	★★★★☆
Heat & Glo 6000 TRSI	3.3	★★★☆☆
Regency P36R	2.7	★★★☆☆
Escea IB1100	2.5	★★★☆☆
Escea IB850	1.7	★★☆☆☆

Source: Australian Gas Association, directory of certified appliances and components available from www.aga.asn.au/product_directory at 1/3/2010.

An effective and consistent heat source

With the Rinnai Symmetry you'll always come home to a warm and comfortable living space. The Symmetry DV3610 provides an impressive heat output of 7.5kW, so it can easily heat large areas. Its innovative ceramic liners deflect radiant heat back into the room. The Symmetry's DV3610 convection fan also assists in the effective circulation of heat so that all areas of a room are warm, and that there are no cold spots.

Made in New Zealand

Reassuringly, the Rinnai Symmetry has been made to the highest quality in New Zealand specifically for New Zealand homes.

7.5 kW heat output will warm up large areas.

Warm up to two additional rooms in your home with heat transfer capacity.

The intelligent Electronic Timer Remote (ETR) provides unmatched control of your appliance.



Greater than 4-star energy efficiency creates cost-savings in your energy bill, and has less impact on the environment.

Large landscape window provides a great view of the fire.

Driftwood log set creates an attractive and contemporary look.



Ceramic liners provide additional radiant heat.

Convection fan helps to circulate heat more efficiently.

Direct Vent technology uses outside air for combustion to create a healthy inside living environment.

The ember bed glow of the burner creates one of the most realistic-looking fires available.

Select a frameless installation to suit your own taste, or choose from a range of framing options.

Flueing can be installed either vertically or horizontally for easy installation.

Flexible installation

The Symmetry has been designed to suit varying requirements of your living environment and taste. Units can be wall mounted for a more contemporary look, or floor mounted for a more traditional style and can be installed with or without a hearth. For further flexibility, the Symmetry can be installed in spaces such as an office or a bedroom, a reception lounge or in a cafe.

Styling

A selection of sophisticated framing choices are also available to suit your décor – these include black granite, satin chrome metal, black metal or a completely frameless look. The frameless look provides design freedom – your choice of cladding, tiles or bricks can be positioned flush against the edge of the fire. See the inside front cover of this brochure for the frameless Symmetry in schist cladding.

The Symmetry has a number of accessories available. For a stylish finish, you may want to add Rockwool to the fire to enhance the glow of the embers. There is also the option of fitting a dress guard for further safety and protection.

An attractive, contemporary design

The Rinnai Symmetry is a contemporary fire that will enhance any living space. It has a generously proportioned landscape-viewing window and features attractive driftwood logs. Its glowing ember bed creates the most realistic fire in the market. Free from traditional louvres, the Symmetry has a sophisticated and streamlined appearance that can be further enhanced with the choice of a floating frame.

The Rinnai Electronic Timer Remote for perfect control

Even on the coldest nights, you can come home and know your living space will be warm and toasty. The Symmetry DV3610 has a highly intelligent Electronic Timer Remote (ETR) with four timers that you can pre-set to turn on any time of any day or night to heat the room to the heat level you desire.

With a simple to use remote and a thermostat control the ETR is smart technology that is easy to use. Simply set it and forget it – your ETR will do all the thinking and heating for you.

A variety of combinations to choose from



Granite frame with grooved liner and rock wool.



Frameless fire with Rockwool and no liners.



Black metal frame with grooved liner and dress guard.



Satin chrome metal frame with grooved liner.



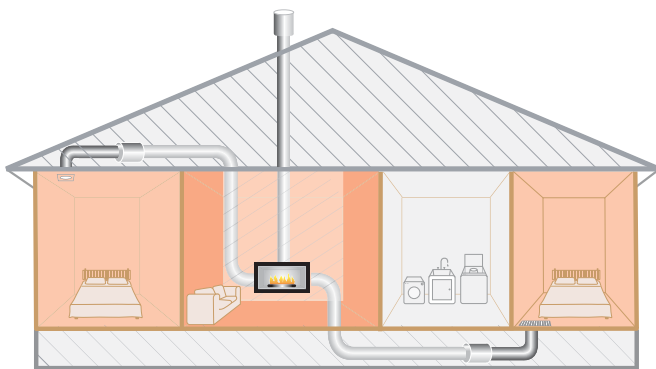
Contemporary design will suit any interior



Heating for the home

Traditional fires heat one part of the house, but with the Rinnai Symmetry's innovative heat ducting capacity, heat can be transferred to one or two additional rooms in your home. This feature helps you make the most of the heat that is being generated. The fire's flexible heat ducting can run horizontally or vertically, through a wall or through the floor, to distribute warm air to another area without the need for a second heat source. Heat transfer system sold separately.

How the heat transfer works



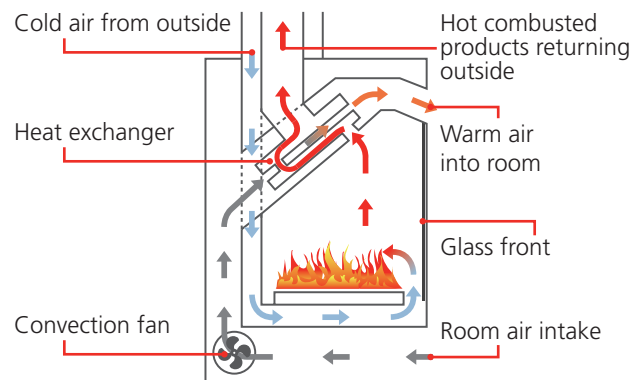
Up to two additional rooms can be warmed through the heat from the transfer system using either a floor vent or ceiling outlet. Use the wall switch to turn the heat transfer system on in one or two additional rooms

Flexible flueing

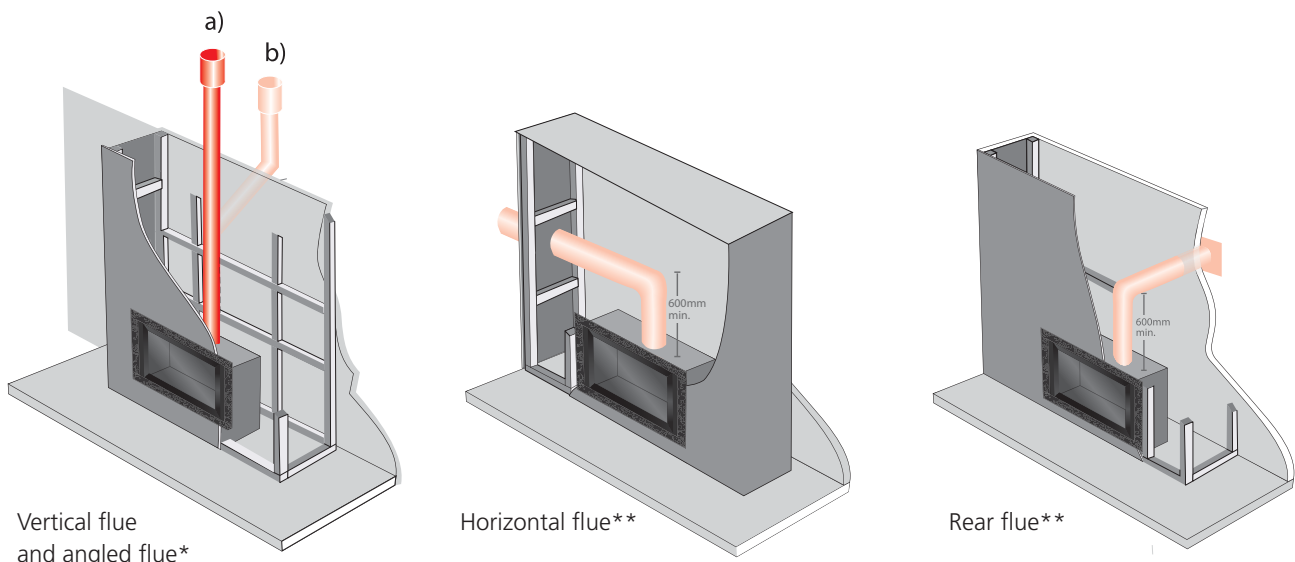
An additional benefit of the Symmetry's design is that it has the ability to have its flue installed vertically then horizontally or in a standard vertical installation. This makes installation easier and provides more options for positioning in difficult spaces.

Breathe easy

The Rinnai Symmetry has been approved by the Asthma Foundation under the Sensitive Choice programme. This fire uses direct vent technology to create a healthy and safe living environment for you and your family. The room air that is heated never mixes with the air for combustion unlike many other gas fires on the market that use room air for combustion. So you and your family can breathe easy and be warm with the Symmetry gas fire.



A variety of flueing options to choose from



Vertical flue and angled flue*

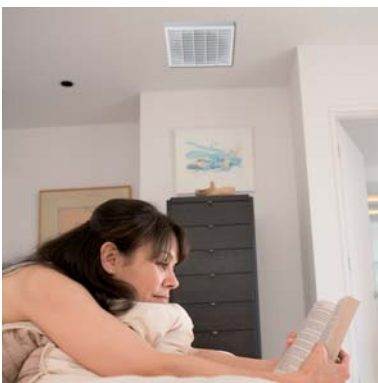
Horizontal flue**

Rear flue**

* Flueing can be a maximum of 5.4m from the top of the fire. ** Refer to installation manual for maximum flue lengths.



Transfer heat with heat ducting technology



Heat ducting ceiling vent



Control at your finger tips



Heat ducting floor vent

The Rinnai Symmetry – DV3600

Rinnai has developed a second Symmetry model – the DV3600. This lower specification model has the same great styling as the Symmetry DV3610 but lower efficiency at a lower cost. The DV3600 offers the options of a fan and ceramic liners as accessories.

Features and Accessories

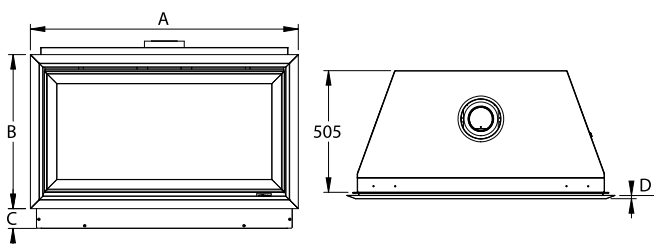
Burn media	DV3610 NG	DV3610 LPG	DV3600 NG	DV3600 LPG
Driftwood logset	●	●	●	●
Rockwool	○	○	○	○
Fireplace liners				
Grooved black, ceramic liner	●	●	○	○
Frames				
Frameless	●	●	●	●
Granite frame	○	○	○	○
Black metal frame	○	○	○	○
Satin chrome frame	○	○	○	○
Extras				
Fan	●	●	○	○
Thermostat and timers	●	●	X	X
Remote Control	●	●	●	●
Dress guard	○	○	○	○
Heat transfer system	○	○	○	○
Specifications				
Input (MJ/h on high)	33	33	33	33
Output (kW on high)	7.5	7.5	5.7	5.7
Star rating	4.2	4.2	n/a	n/a
TV installed above Symmetry*	○	○	X	X

● Standard ○ Optional X Not suitable n/a Not applicable

Rinnai Symmetry Dimensions

Part number	Symmetry fireplace	Fireplace styling	A	B	C	D
RDV3610**	Symmetry Engine with fan	Frameless	1015	581	94	Flush
RDV3600***	Symmetry Engine no fan	Frameless	1015	581	94	Flush
R3620	Black granite frame	Granite	1252	742	14	20
R3600GL	Galaxy black metal frame	Black metal	1110	639	80	14
R3600SC	Satin chrome metal frame	Silver metal	1110	639	80	14

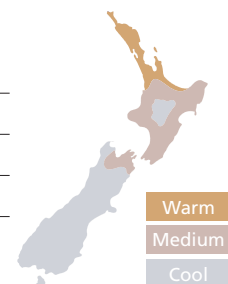
** RDV3610ETRBN - Natural Gas / RDV3610ETRBL - LPG *** RDV3600ERBN - Natural Gas / RDV3600ERBL - LPG



Zone heat area m²

	DV3610	DV3600
Warm	100	82
Medium	74	57
Cool	62	48

Area heated relevant to your geographical location in New Zealand



*A TV may be suitable for installation above the DV3610 depending on the TV manufacturers specification. A TV is not suitable above the DV3600. This information is not intended as an installation guide. Specifications may change without notice.

Rinnai New Zealand

Consumers: 0800 RINNAI (746 624)
Installers: 0800 TO RINNAI (86 746 624)

Email: info@rinnai.co.nz
Website: www.rinnai.co.nz

105 Pavilion Drive, Airport Oaks, Mangere,
Manukau, Auckland, New Zealand